

Hot Dog Steamer

Model Numbers: DOG-1200-1

Supera[®] Countertop Hot Dog Steamer

The Supera[®] Countertop Hot Dog Steamer is a perfect addition to any booming beachside hot dog stand or concession venue. It is versatile, easy to operate and can quickly steam up convenient batches of hot dogs and buns for all your hungry customers.

FEATURES

All Day Steaming Function

The Supera[®] Countertop Hot Dog Steamer holds 100 standard sized hot dogs and 36-48 buns. It makes food prep easy and convenient for the busy establishment. With the large hot dog capacity you can allow for proper cooking time in a fast paced environment. And with the all day steaming function you'll always have hot dogs warm and ready to serve up.

High Quality Construction

This countertop unit is durable and reliable, making hot dog cooking a snap no matter how simple or gourmet your hot dogs are. With its dual-sided glass it allows for excellent visual merchandising to bring in the customers that weren't already drawn in by their noses.

Set It and Forget It

This steamer comes with a large water pan that allows for early day set up and it will take you through the entire day without the hassle of having to refill it. The humidity controlled compartments keep your buns warm and soft while hot dogs are steaming.



DOG-1200-1

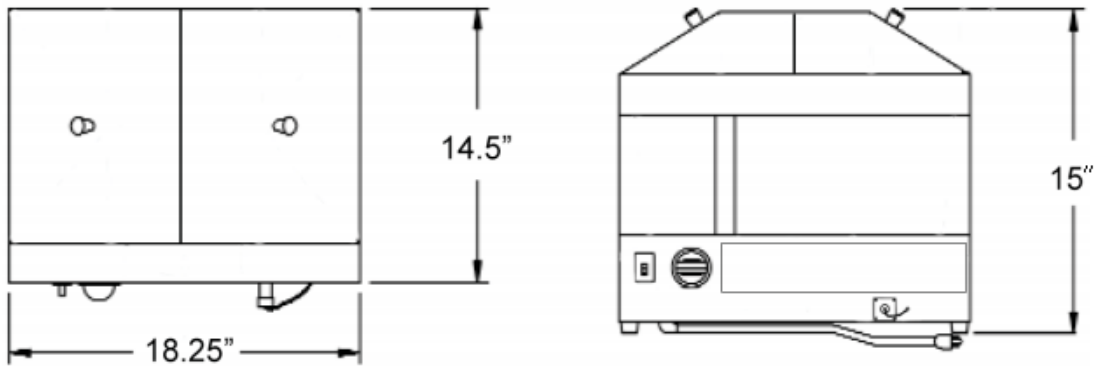
» Features at a Glance:

- Adjustable thermostat
- Durable stainless steel construction
- Humidity controlled compartment keeps buns fresh while hot dogs steam
- The large water pan allows for a no fuss set up to take you through the entire day
- Holds 100 standard sized hot dogs and 36-48 buns
- Dual-sided glass allows for excellent visual merchandising
- Humidity control system
- 1200 watts
- Dual-sided tempered glass
- Large capacity steamer allows for proper cooking time in fast paced environments

Hot Dog Steamer– Product Specifications

Model Numbers: DOG-1200-1

Plan View



Product Specifications	
Model	DOG-1200-1
Dimensions (H x W x D)	15" x 18.25" x 14.5"
Shipping Dimensions (H x W x D)	18" x 21" x 18"
6" Hot Dog Holding Capacity	100
Bun Holding Capacity	48
Hot Dog Cooker Type	Steamer
Amps	10
Power	Electric
Voltage	120
Wattage	1200 W
Shipping Weight	24.3
NEMA Plug Type	5-15P



NEMA 5-15 PLUG
120V/15 Amps

